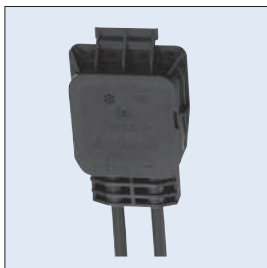
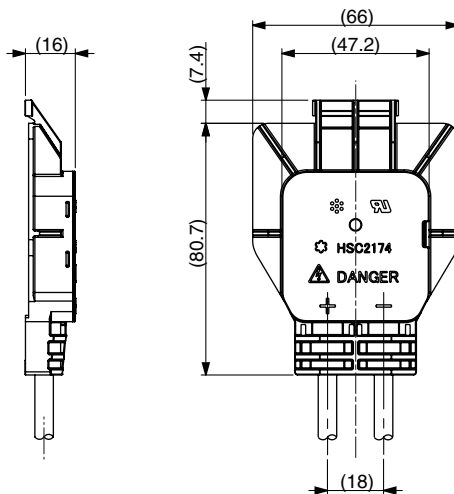


HSC2174

Pottingless Type

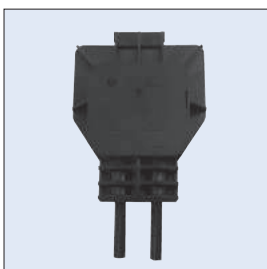


定格電圧 Rated voltage	1000V DC
定格電流 Rated current	3A DC
使用温度範囲 Operating temperature	-40°C to 90°C (TÜV) -40°C to 85°C (UL)
保護等級 Degree Protection	IP67(without potting)
認証 Certification	TÜV UL

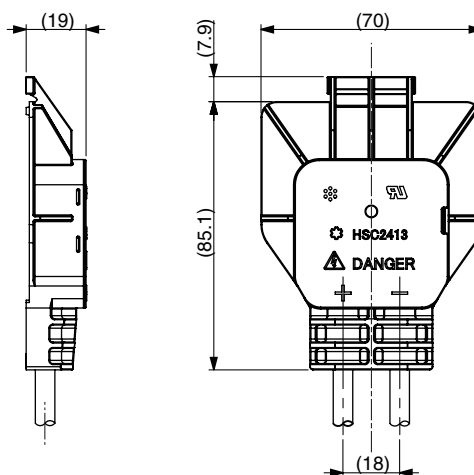


HSC2413

Pottingless Type

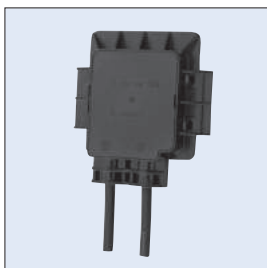


定格電圧 Rated voltage	1500V DC
定格電流 Rated current	3A DC
使用温度範囲 Operating temperature	-40°C to 90°C (TÜV) -40°C to 85°C (UL)
保護等級 Degree Protection	IP67(without potting)
認証 Certification	TÜV UL



HSC2190

Potting Type



定格電圧 Rated voltage	1000V DC
定格電流 Rated current	5A DC
使用温度範囲 Operating temperature	-40°C to 90°C (TÜV) -40°C to 90°C (UL)
保護等級 Degree Protection	IP67(with potting)
認証 Certification	TÜV UL

