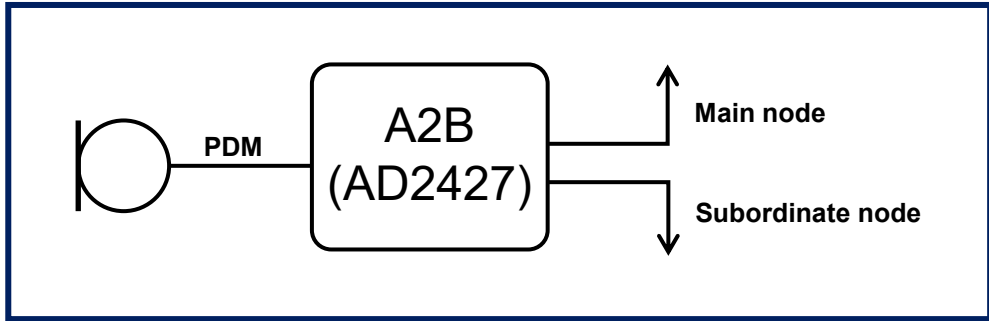


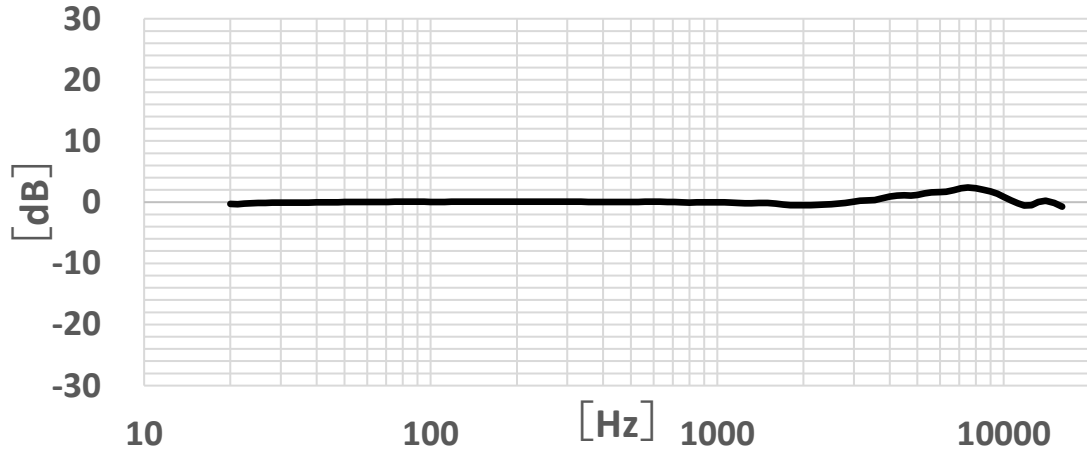
## Overview

- 120dB SPL high sound-pressure input microphone
- Signal to noise ratio : 64dB(A) (Typ)
- **Flat low & high frequency characteristics**
- For HF/VR & ANC/RNC application

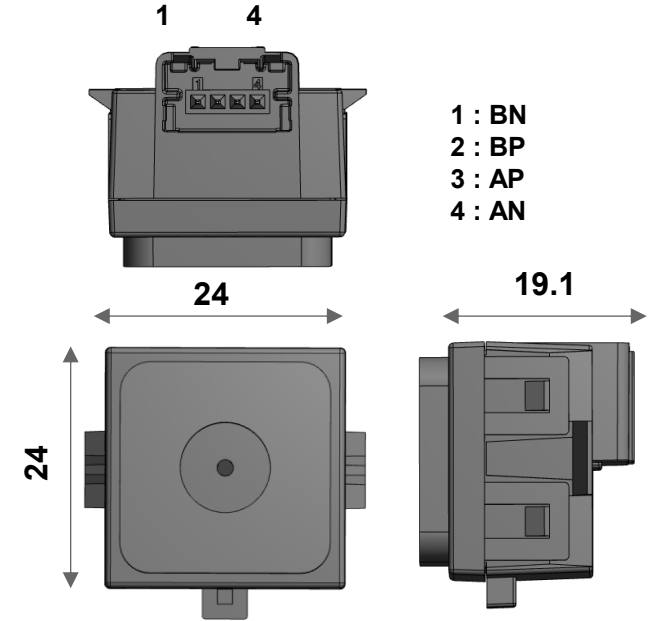
## Block diagram



## Frequency response



## Appearance



## Specifications

※Mating component is 34791-0040(Molex).

Item	HHM1069
Operation Temperature Range	-40°C ~ +85°C
Maximum Input Level	120dB SPL (THD 10% Typ at 1kHz)
SN Ratio	64dB(A) (min)
Sensitivity	-26 ± 2 dBFS/Pa at 1kHz
Connector	34912-8040 (Molex)