

USB Connectors

HDMI Connectors

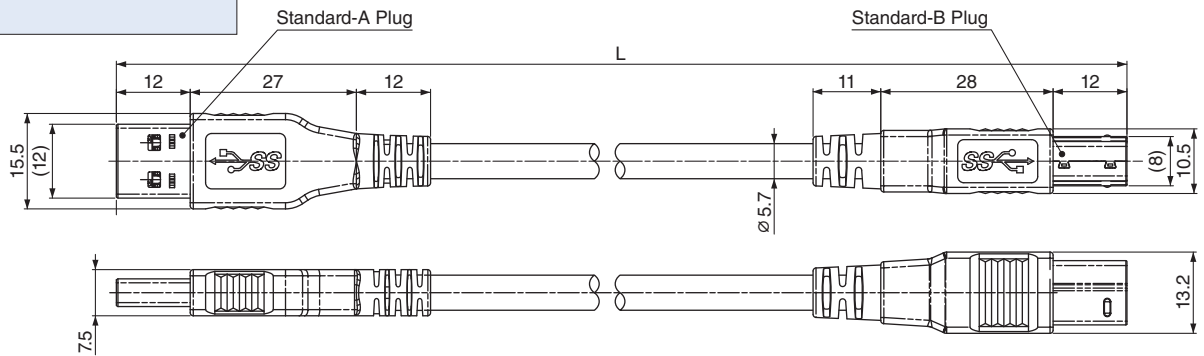
DisplayPort Connectors



Contents	1
USB3.0 Connectors	
Plug Cables	2
USB Connectors	
Mini-B Receptacles	3
Plugs	4 - 5
HDMI Connectors	
Type E Receptacles	6
Plug Cables	7
DisplayPort Connectors	
Receptacles	8
Plugs	9
Plug Cables	9

HPC1645

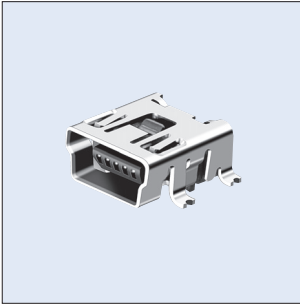
Plug Cable (Standard-A to Standard-B)



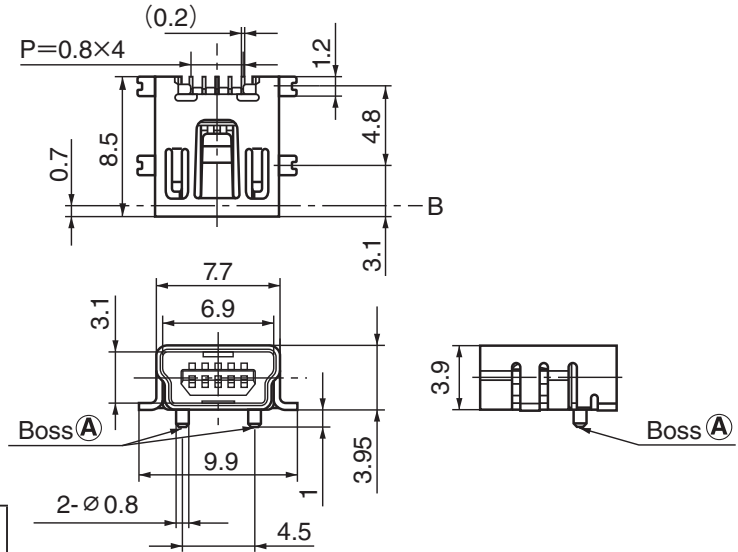
Model No.	L
HPC1645-010010	1000 ± 50
HPC1645-010020	1500 ± 50
HPC1645-010030	2000 ± 50

TCS0101

Mini-B Receptacle

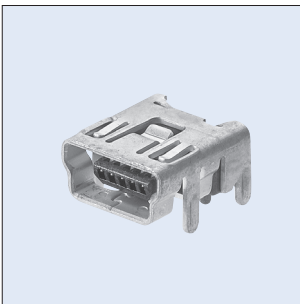


**TCS0101-110177
SMT Type**

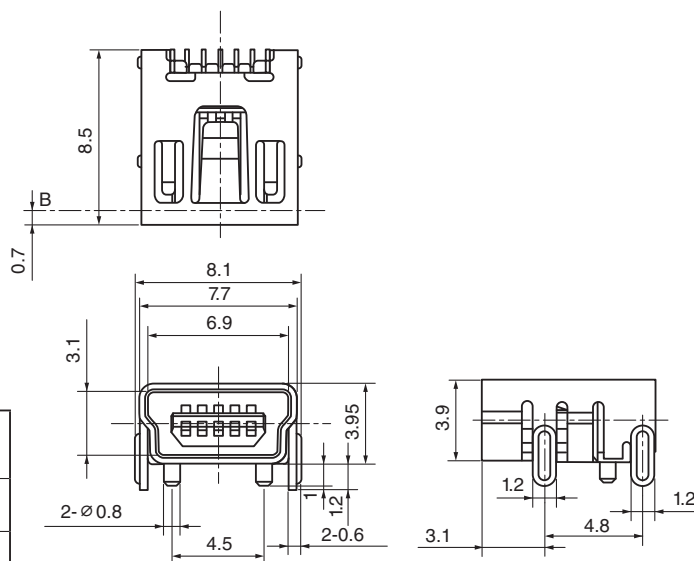


Rated	1A 30V AC max. or 0.5A 5.25 DC max.
Contact Resistance	50mΩ max.
Insulation Resistance	100MΩ min. at 500V DC
Withstanding Voltage	100V AC for 1 minute
Insertion & Withdrawal force	Insertion 35N max. Withdrawal 7N min.

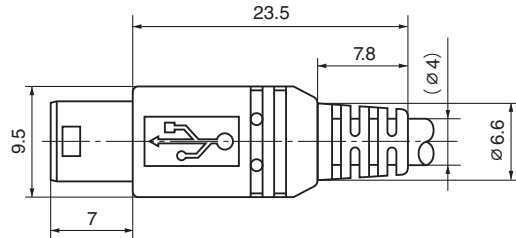
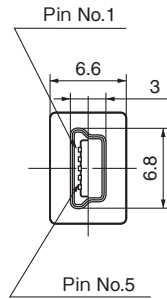
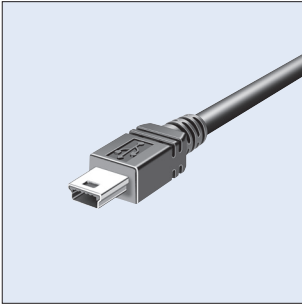
BOSS (A)	Model No.
With	TCS0101-110177
Without	TCS0101-310177



**TCS0101-41
DIP Type**



Rated	1A 30V AC max. or 0.5A 5.25 DC max.
Contact Resistance	50mΩ max.
Insulation Resistance	100MΩ min. at 500V DC
Withstanding Voltage	100V AC for 1 minute
Insertion & Withdrawal force	Insertion 35N max. Withdrawal 7N min.

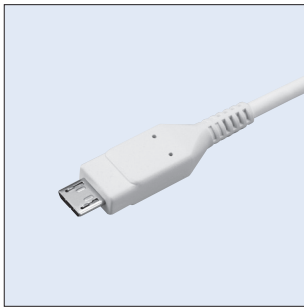
TCS0102
Mini-B Plug


Rated	1A 30V AC max. or 0.5A 5.25V DC max.
Contact Resistance	50mΩ max.
Insulation Resistance	100MΩ min. at 500V DC
Withstanding Voltage	100V AC for 1 minute
Insertion & Withdrawal force	Insertion 35N max. Withdrawal 7N min.

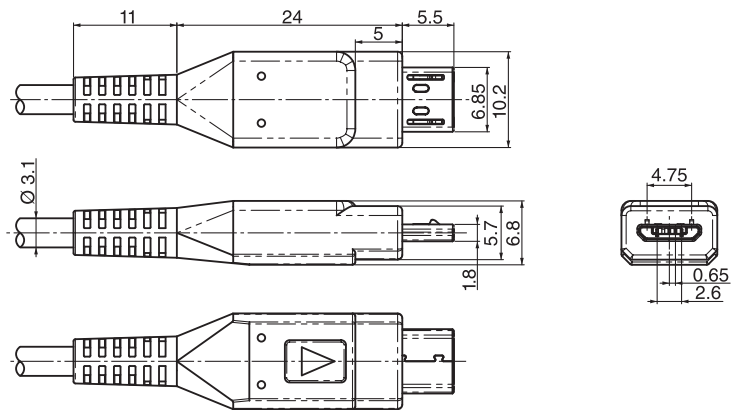
Note: The TCS0102 plugs are made by insertion forming and equipped with Cord. Plugs cannot be sold independently.

HPC1567

Micro-USB Plug



HPC1567-010110



Rated	① 1.8A 5V DC (Power Line) ② 1.8A 9V DC (Power Line) ③ 1.35A 12V DC (Power Line)
Contact Resistance	30mΩ max.
Insulation Resistance	1000MΩ min. at 100V DC
Withstanding Voltage	100V AC for 1 minute
Insertion & Withdrawal force	Insertion 35N max. Withdrawal 6N min.

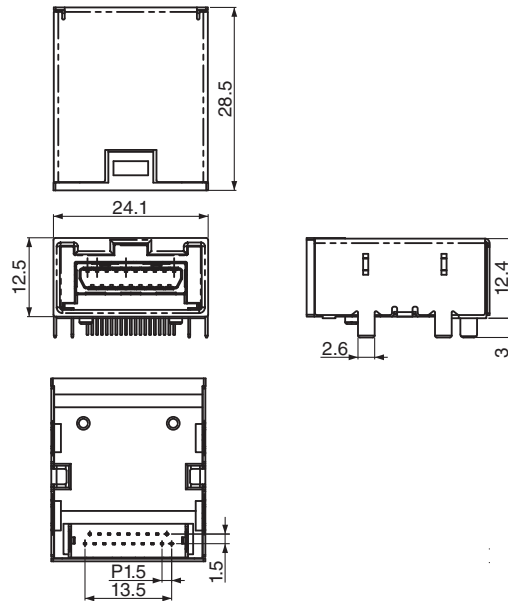
* with Thermosensor

TCX3407

Type E Receptacle



TCX3407-010187



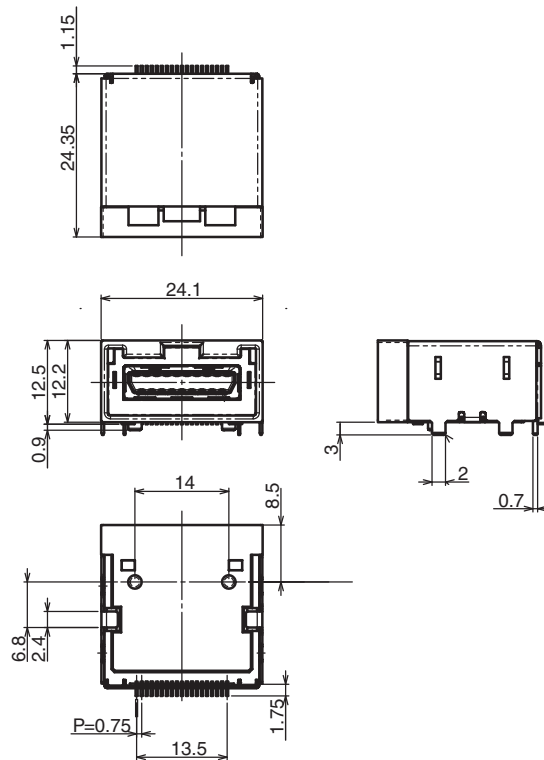
Rated	0.5A 40V(RMS) AC max.
Contact Resistance	10mΩ max.
Insulation Resistance	100MΩ min. at 500V DC
Withstanding Voltage	500V AC / 1 minute

TCX3467

Type E Receptacle



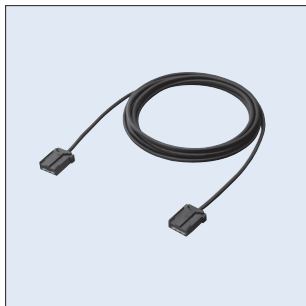
TCX3467-010187



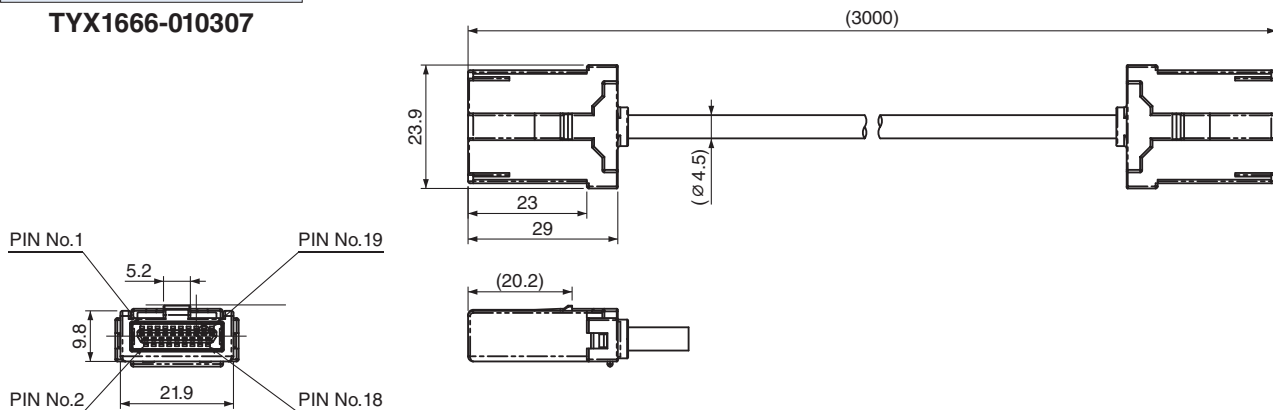
Rated	0.5A 40V(RMS) AC max.
Contact Resistance	10mΩ max.
Insulation Resistance	100MΩ min. at 500V DC
Withstanding Voltage	500V AC / 1 minute

TYX1666

Plug Cable (Type E plug - Type E Plug)



TYX1666-010307

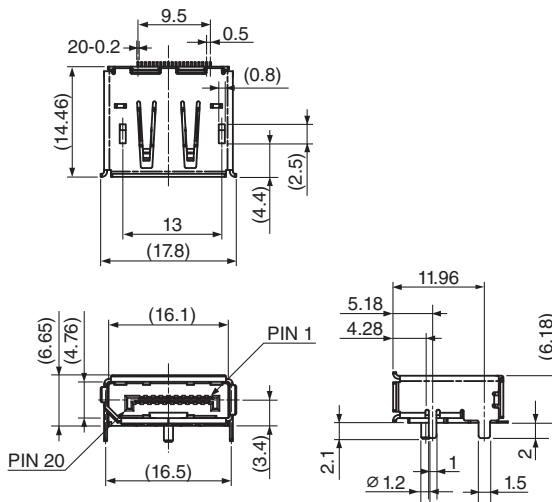


TCX3250

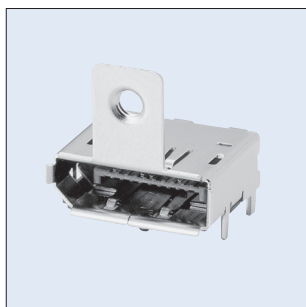
Standard Type Receptacle



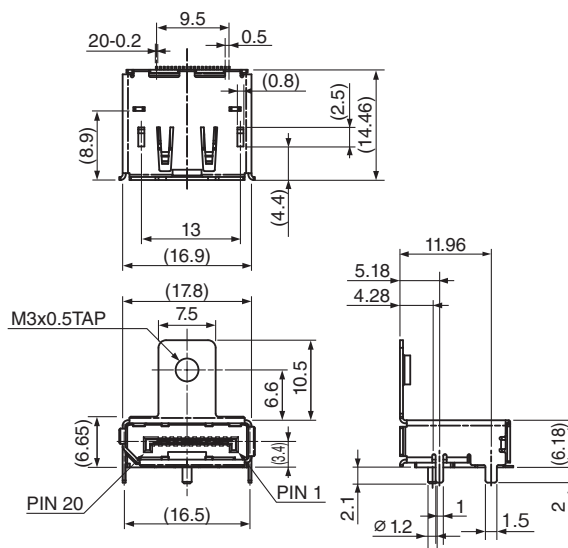
TCX3250-01



Rated	0.5A 40V AC max.
Contact Resistance	30m Ω max.
Insulation Resistance	100M Ω min. at 500V DC
Withstanding Voltage	500V AC for 1 minute
Differential Impedance	100 Ω \pm 10 Ω (Tr=130ps(20%-80%))



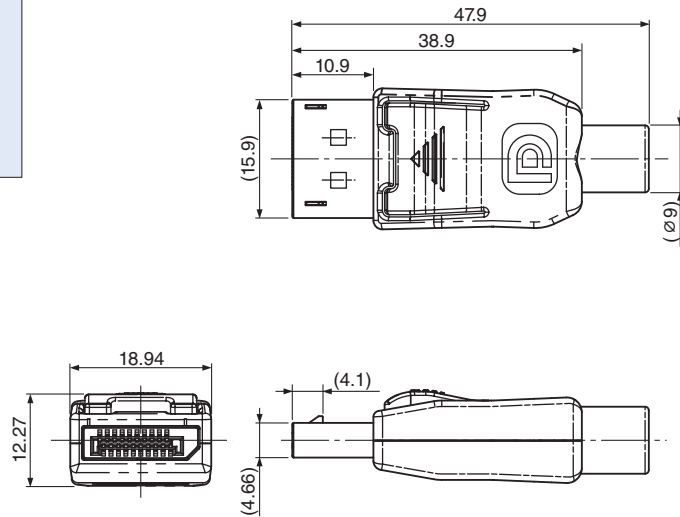
TCX3250-11



Rated	0.5A 40V AC max.
Contact Resistance	30m Ω max.
Insulation Resistance	100M Ω min. at 500V DC
Withstanding Voltage	500V AC for 1 minute
Differential Impedance	100 Ω \pm 10 Ω (Tr=130ps(20%-80%))

TCX3251

Plug



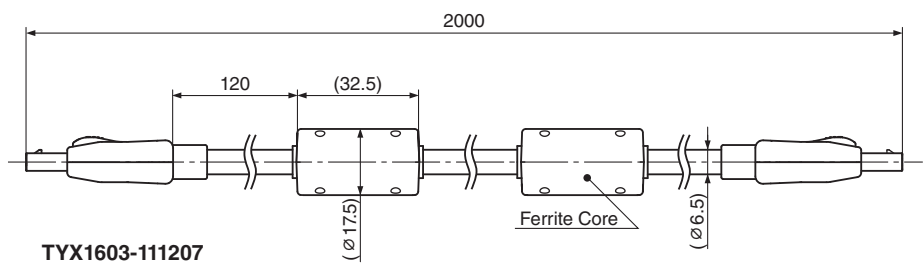
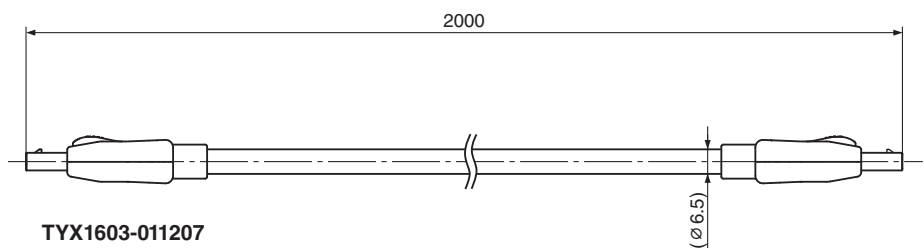
* Plug must be supplied with cable.

TYX1603

Plug Cable



TYX1603-111207



Model No. Table

Model No.	Page		
HPC1567	5	TCX3407	6
HPC1645	2	TCX3467	6
TCS0101	3	TYX1603	9
TCS0102	4	TYX1666	7
TCX3250	8		
TCX3251	9		



Hosiden Corporation

<https://www.hosiden.com>

Head Office

4-33, Kitakyuhoji 1-chome, Yao-city, Osaka 581-0071, Japan
Phone : +81-72-993-1010 Fax : +81-72-994-5101

Japan

Overseas Division :

4-33, Kitakyuhoji 1-chome, Yao-city, Osaka 581-0071, Japan
Phone : +81-72-993-1010 Fax : +81-72-924-8937

China

Hosiden Electronics(Shanghai) Co., Ltd.

Room 802, Kirin Plaza No.666 Gu Bei Road, Changning District, Shanghai P.R.China
Phone : +86-21-5208-1488 Fax : +86-21-5208-1480

Hosiden (Shenzhen) Co., Ltd.

Room2716, Changping Commercial Building, 99 Honghua Road,
Futian Free Trade Zone, Shenzhen, China
Phone : +86-755-8348-0952 Fax : +86-755-8359-7722

Hong Kong

Hong Kong Hosiden Ltd.

Units 09A(01), 2/F., Laurels Industrial Centre, 32 Tai Yau Street San Po Kong, Kowloon, Hong Kong
Phone : +852-23238181 Fax : +852-23520425

Taiwan

Taiwan Hosiden Co., Ltd.

3F., No.34, Sec. 3, Zhongshan N. Rd., Zhongshan Dist., Taipei City 10452, Taiwan
Phone : +886-2-2503-5611 Fax : +886-2-2517-8573

Singapore

Hosiden Singapore Pte. Ltd.

28, Genting, Lane, #04-07, Platinum 28, Singapore 349585
Phone : +65-6296-8100 Fax : +65-6296-8200

Thailand

Hosiden (Thailand) Co., Ltd.

43 Thai CC Tower 16st Fl., Room 163, South Sathorn Rd., Kwaeng Yannawa,
Khet Sathorn, Bangkok 10120, Thailand
Phone : +66-2-673-9760, 9761 Fax : +66-2-673-9762

Germany

Hosiden Europe GmbH

Graf-Recke-Straße 82, 40239 Düsseldorf, Germany
Phone : +49-211-96493-0 Fax : +49-211-96493-90

Frankfurt Sales Office

Ohmstrasse 53, Frankfurt am Main 60486 Germany
Phone : +49-69-7103-5170

U.K.

Hosiden Besson Ltd.

12 St. Joseph's Trading Estate St. Joseph's Close, Hove, East Sussex,
BN3 7EZ, United Kingdom
Phone : +44-1273-860000 Fax : +44-1273-777501

U.S.A.

Hosiden America Corp.

Head Office

120 East State Parkway, Schaumburg, IL, 60173, U.S.A.
Phone : +1-847-885-8870 Fax : +1-847-885-0063

San Jose Sales Office

1275 South Winchester Boulevard, Suite G, San Jose, CA 95128, U.S.A.
Phone : +1-408-985-8780 Fax : +1-408-985-8785

Detroit Sales Office

39575 Lewis Drive, Suite #900, Novi, MI. 48377, U.S.A.
Phone : +1-248-489-0174 Fax : +1-248-489-1154

- The contents described in this catalog may be changed without prior notice due to products improvements or discontinuance of production.
- Every product in this catalog is compliant to RoHS directive.



CAUTION FOR SAFETY

Please use our products properly based on our Drawing and Specification.