
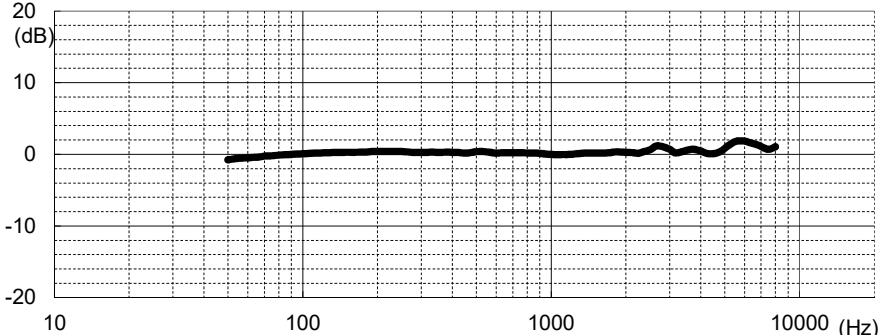
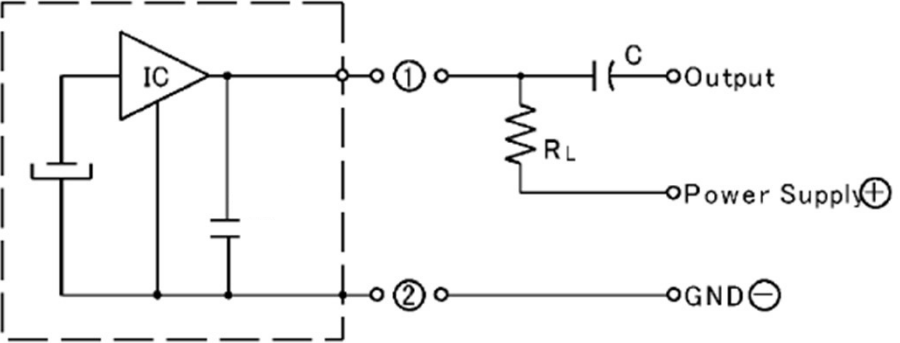


## Electret Condenser Microphone – Part number : KUS0623

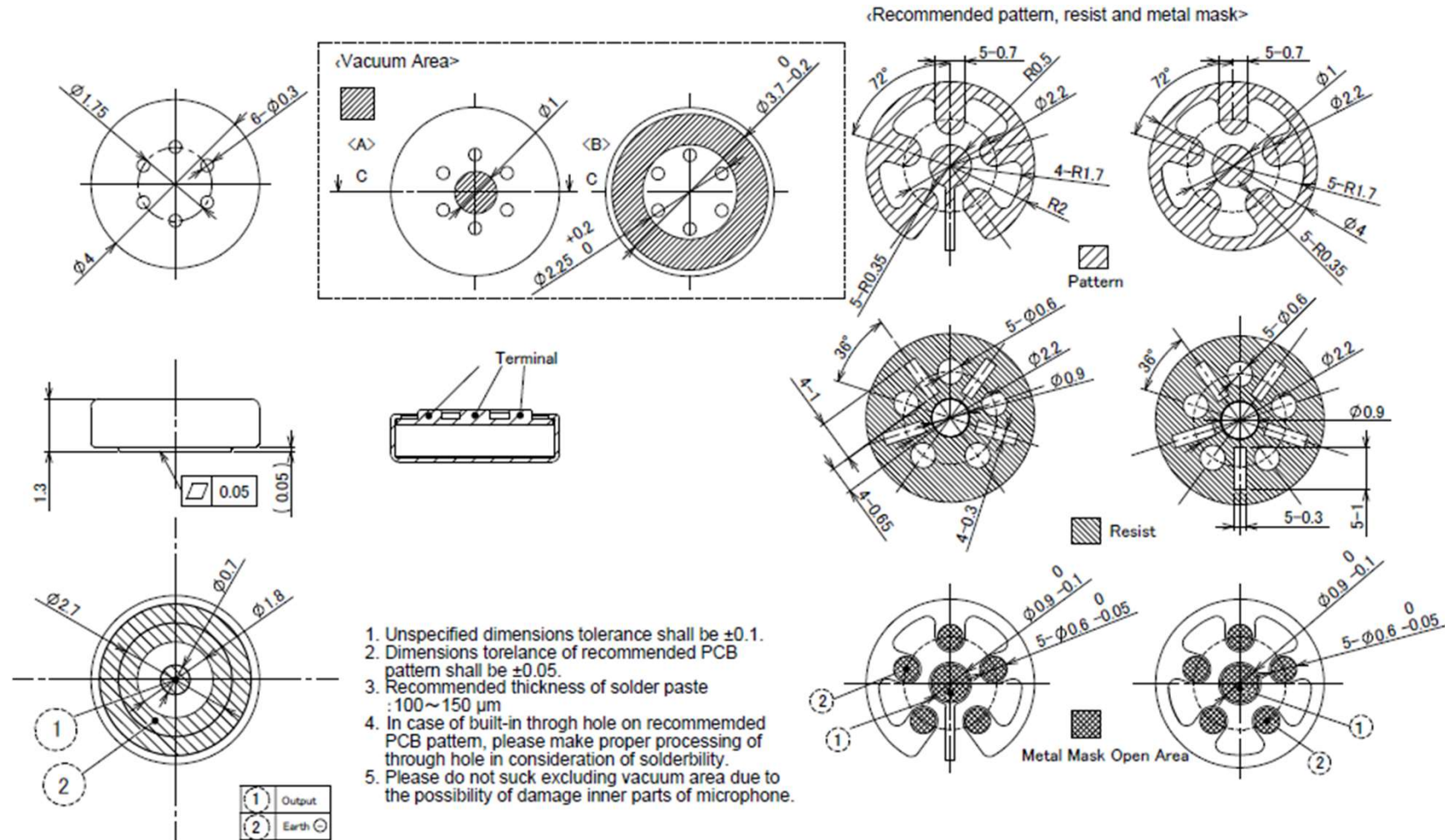
Analog output	Omni-Directional(KUS0623)
Appearance <b>Size: Dia.4 x t1.3mm</b>	<b>&lt;Reflow soldering type&gt;</b> 
Sensitivity	-44 ±3 dB
Frequency response (Typ.)	
Signal to noise ratio(A)	56 dB Min.
Total harmonic distortion (at 1kHz)	1% Max./100dB SPL
Standard power supply	2.0 V
Current consumption	0.5mA Max.
Output Impedance	2.2kΩ Max.

# Electret Condenser Microphone – Part number : KUS0623

Analog output	Omni-Directional(KUS0623)
Operating voltage	1~10 V
Operating temperature	-20°C ~ +70°C
Storage temperature	-20°C ~ +70°C
Test circuit	 <p style="text-align: center;">Mic Case</p> <p style="text-align: right;"> <math>R_L = 2.2\text{ k}\Omega</math>  <math>C = 1\ \mu\text{F}</math> </p>
Mechanical dimensions	Refer to Page 3
Packaging	5kpcs/1 reel

# Electret Condenser Microphone – Part number : KUS0623

<Reflow soldering type>



1. Unspecified dimensions tolerance shall be  $\pm 0.1$ .
2. Dimensions tolerance of recommended PCB pattern shall be  $\pm 0.05$ .
3. Recommended thickness of solder paste :  $100 \sim 150 \mu\text{m}$
4. In case of built-in through hole on recommended PCB pattern, please make proper processing of through hole in consideration of solderability.
5. Please do not suck excluding vacuum area due to the possibility of damage inner parts of microphone.