
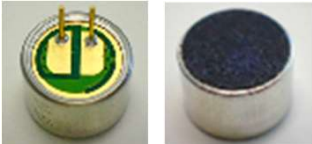
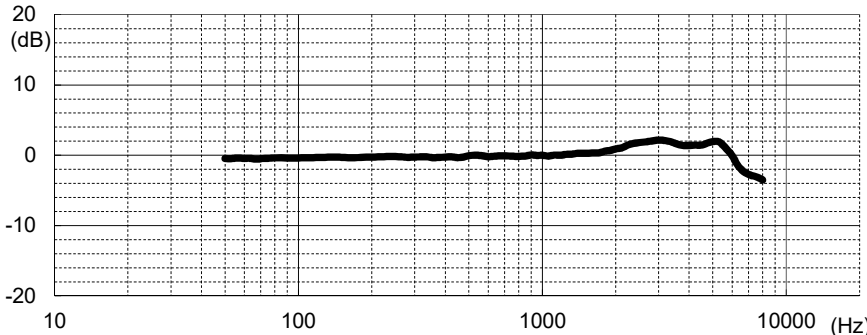
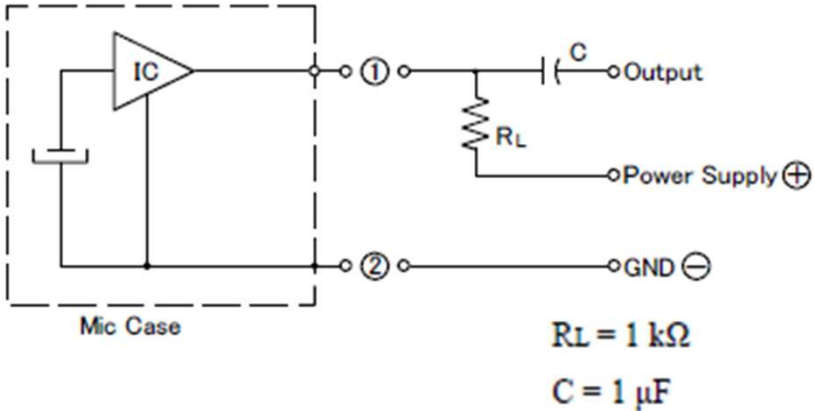


# Electret Condenser Microphone – Part number : KUC4023

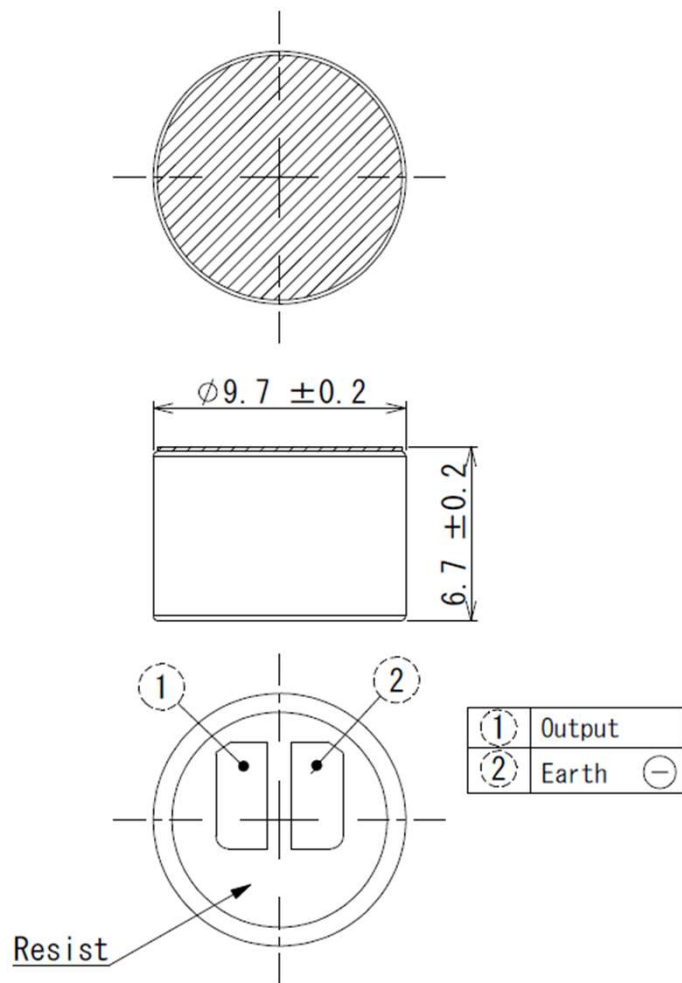
Analog output	Omni-Directional(KUC4023)
Appearance <b>Size: Dia.9.7x6.7mm</b>	<div style="display: flex; justify-content: space-around;"> <div style="text-align: center;"> <p>&lt;Soldering type&gt;</p>  </div> <div style="text-align: center;"> <p>&lt;Pin type&gt;</p>  </div> </div>
Sensitivity	-45 ±4 dB
Frequency response (Typ.)	
Signal to noise ratio(A)	60 dB Min.
Total harmonic distortion (at 1kHz)	1% Max./100dB SPL
Standard power supply	4.5 V
Current consumption	0.8mA Max.
Output Impedance	1kΩ Max.

# Electret Condenser Microphone – Part number : KUC4023

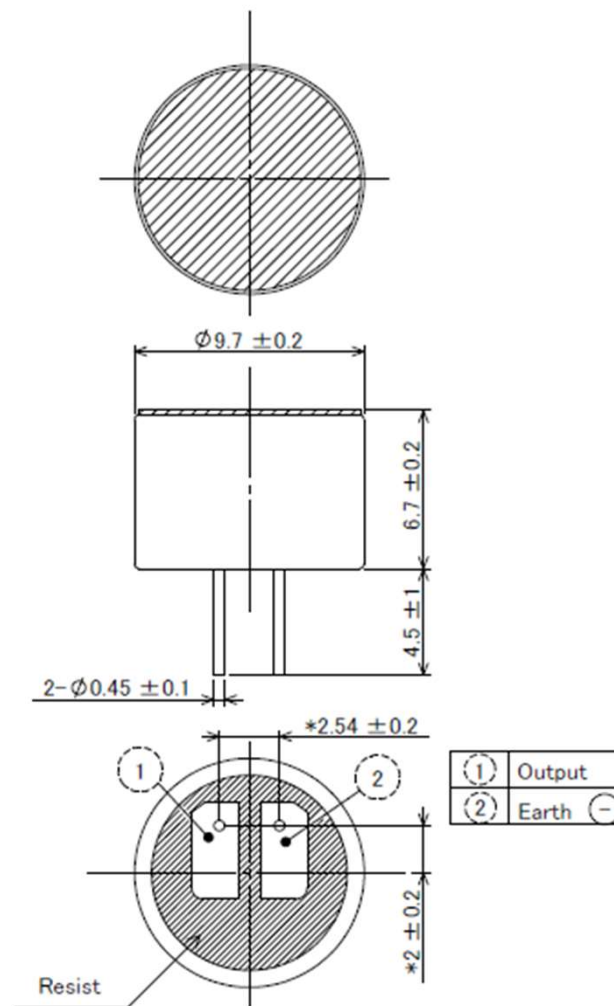
Analog output	Omni-Directional(KUC4023)
Operating voltage	1~10 V
Operating temperature	-20°C ~ +70°C
Storage temperature	-20°C ~ +70°C
Test circuit	 <p style="text-align: center;"> <math>R_L = 1\text{ k}\Omega</math>  <math>C = 1\text{ }\mu\text{F}</math> </p>
Mechanical dimensions	Refer to Page 3
Packaging	1kpcs/Inner carton

# Electret Condenser Microphone – Part number : KUC4023

## <Soldering type>



## <Pin type>



\*Dimension marked \* indicates the distance Measured at the bottom of terminals (Legs) (And not at the points)