



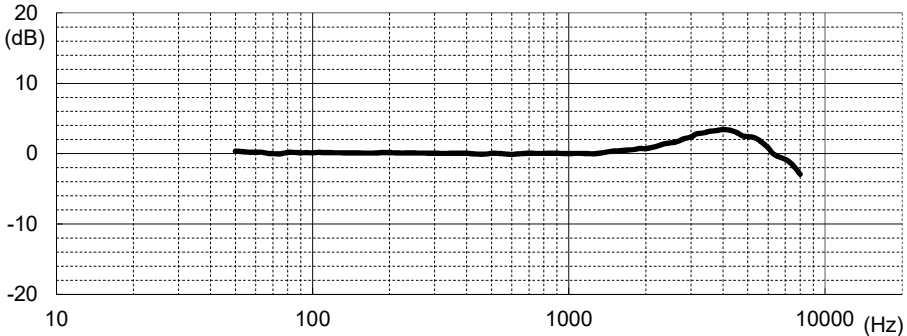
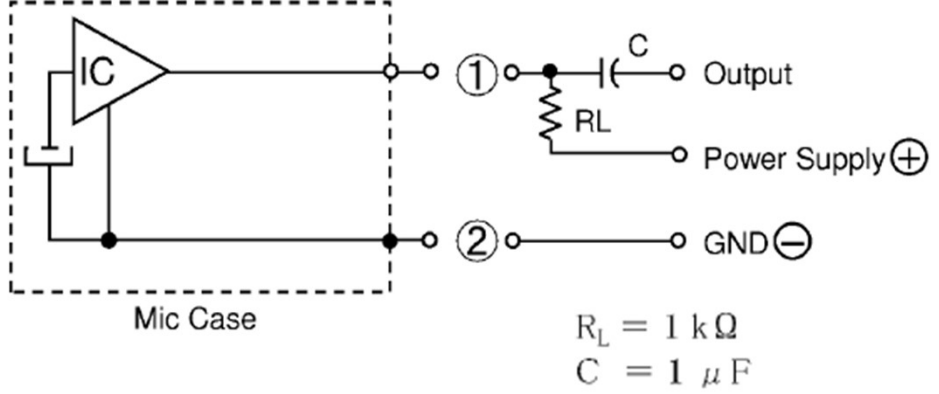


# Electret Condenser Microphone – Part number : KUC3523

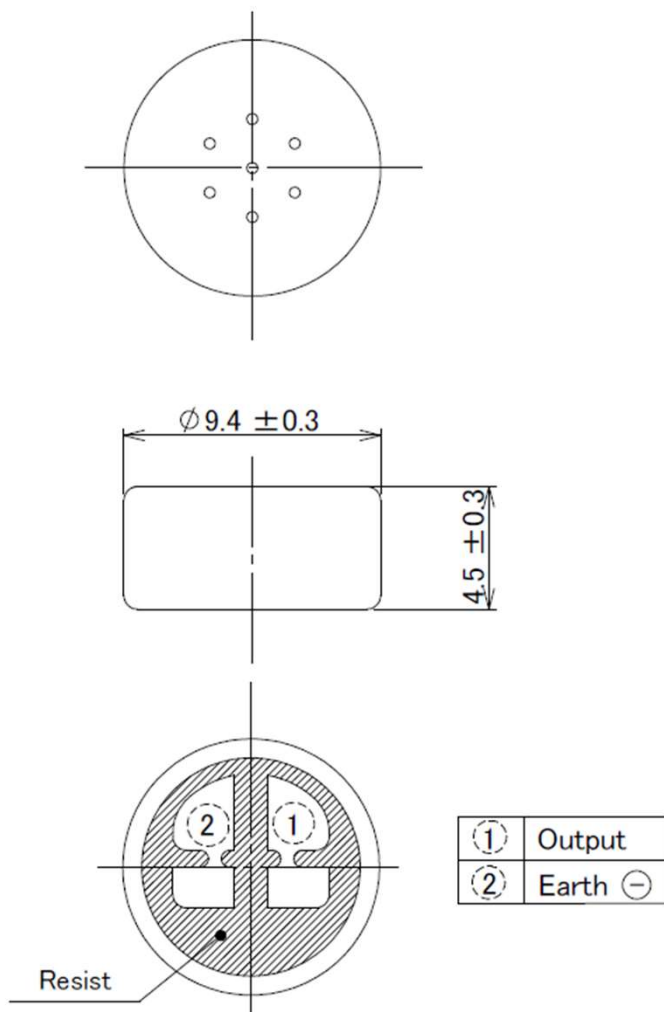
Analog output	Omni-Directional(KUC3523)	
Appearance <b>Size: Dia.9.4xt4.5mm</b>	<Soldering type>  	<Pin type>  
Sensitivity	-45 ±4 dB	
Frequency response (Typ.)		
Signal to noise ratio(A)	60 dB Min.	
Total harmonic distortion (at 1kHz)	1% Max./100dB SPL	
Standard power supply	4.5 V	
Current consumption	0.8mA Max.	
Output Impedance	1kΩ Max.	

# Electret Condenser Microphone – Part number : KUC3523

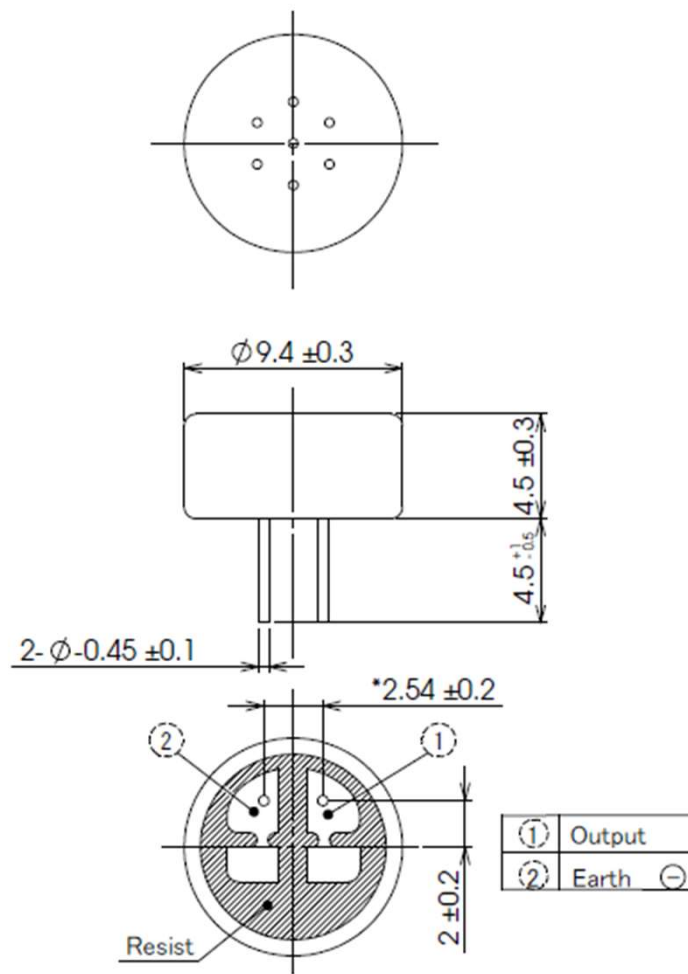
Analog output	Omni-Directional(KUC3523)
Operating voltage	2~10 V
Operating temperature	-20°C ~ +70°C
Storage temperature	-20°C ~ +70°C
Test circuit	 <p style="text-align: center;">Mic Case</p> <p style="text-align: right;"> <math>R_L = 1\text{ k}\Omega</math>  <math>C = 1\ \mu\text{F}</math> </p>
Mechanical dimensions	Refer to Page 3
Packaging	1kpcs/Inner carton

# Electret Condenser Microphone – Part number : KUC3523

## <Soldering type>



## <Pin type>



Dimension marked \* indicates the distance  
Measured at the bottom of terminals (Legs)  
(And not at the points)