
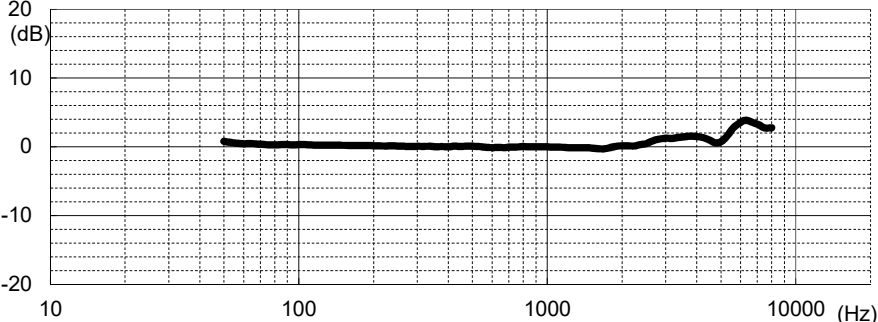
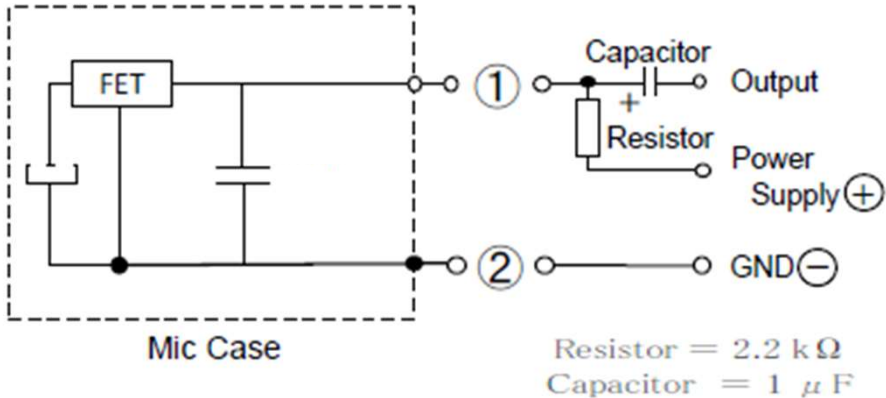


Electret Condenser Microphone – Part number : KUB4225

Analog output	Omni-Directional(KUB4225)
Appearance Size: Dia.6x1.9mm	<Soldering type> 
Sensitivity	-36±2 dB
Frequency response (Typ.)	
Signal to noise ratio(A)	63 dB Min.
Total harmonic distortion (at 1kHz)	1% Max./110dB SPL
Standard power supply	3.0 V
Current consumption	0.5mA Max.
Output Impedance	2.2kΩ Max.

Electret Condenser Microphone – Part number : KUB4225

Analog output	Omni-Directional(KUB4225)
Operating voltage	1.6~6 V
Operating temperature	-20°C ~ +70°C
Storage temperature	-20°C ~ +70°C
Test circuit	 <p style="text-align: center;">Mic Case</p> <p style="text-align: right;">Resistor = 2.2 kΩ Capacitor = 1 μF</p>
Mechanical dimensions	Refer to Page 3
Packaging	1kpcs/Inner carton

Electret Condenser Microphone – Part number : KUB4225

<Soldering type>

