
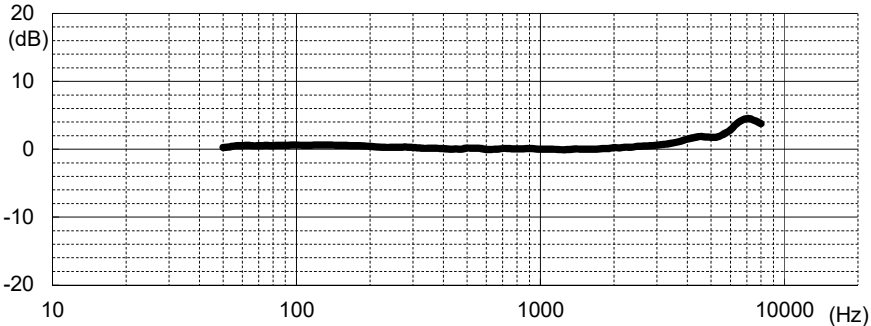
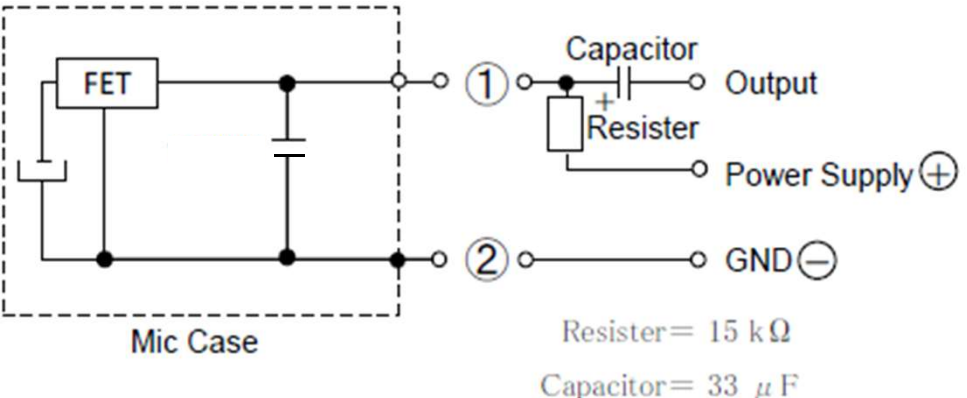


Electret Condenser Microphone – Part number : KUB0625

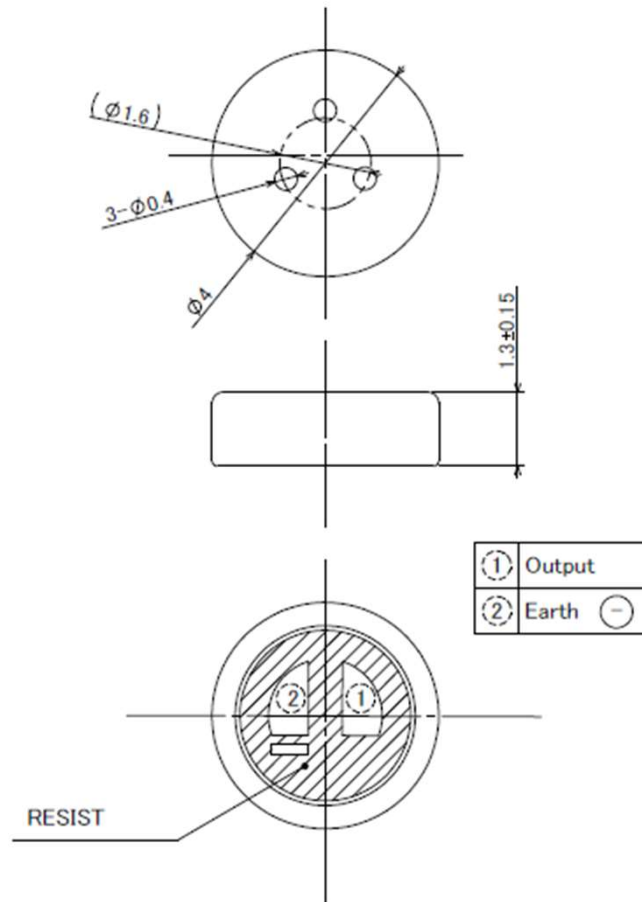
Analog output	Omni-Directional(KUB0625)
Appearance Size: Dia.4x1.3mm	<Soldering type> 
Sensitivity	-45±2 dB
Frequency response (Typ.)	
Signal to noise ratio(A)	63 dB Min.
Total harmonic distortion (at 1kHz)	1% Max./100dB SPL
Standard power supply	2.0 V
Current consumption	0.2mA Max.
Output Impedance	15kΩ Max.

Electret Condenser Microphone – Part number : KUB0625

Analog output	Omni-Directional(KUB0625)
Operating voltage	1~8 V
Operating temperature	-40°C ~ +85°C
Storage temperature	-40°C ~ +85°C
Test circuit	 <p style="text-align: center;">Resistor = 15 kΩ Capacitor = 33 μF</p>
Mechanical dimensions	Refer to Page 3
Packaging	1kpcs/Inner carton

Electret Condenser Microphone – Part number : KUB0625

<Soldering type>



Unless otherwise specified dimensions are in millimeters
tolerance on decimals ± 0.2 .