
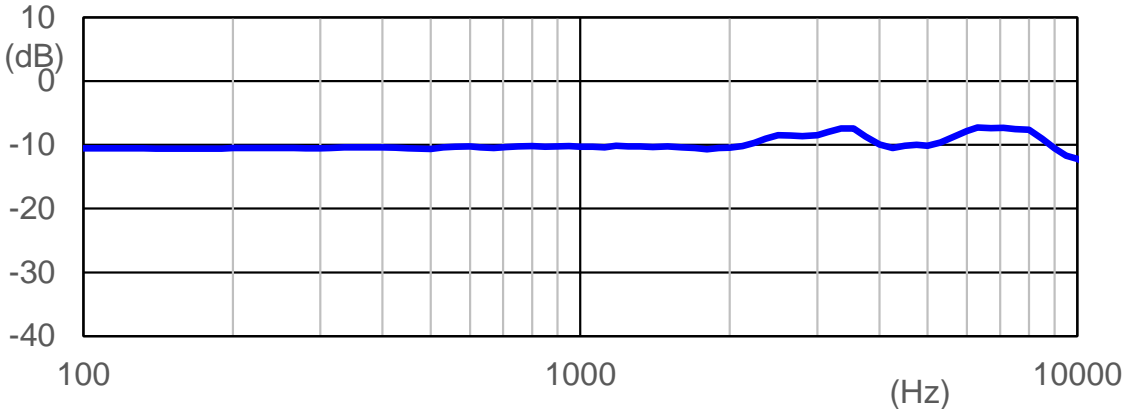


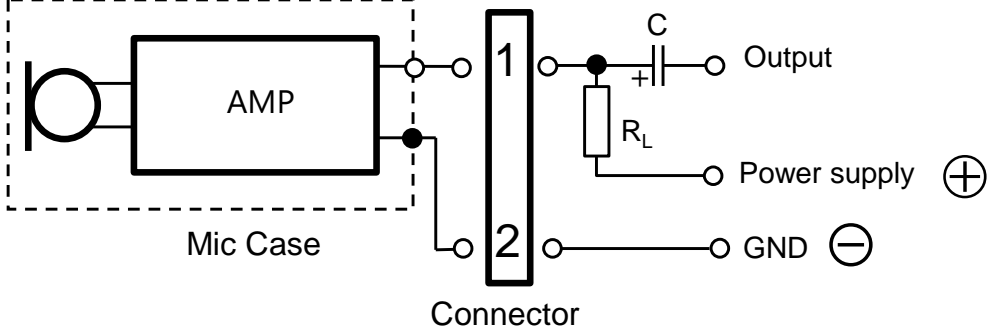
Handsfree Microphone – Part number : KHM0100

Analog output	Built-In type(KHM0100)
<p>Appearance Size:25.6x13.6x8mm</p>	
Sensitivity	-10.5±3 dB
<p>Frequency response (Typ.)</p>	
Directivity	Omni
Signal to noise ratio(A)	62 dB Typ.

Handsfree Microphone – Part number : KHM0100

Analog output	Built-In type(KHM0100)
Total harmonic distortion (at 1kHz)	3% Max./106dBSPL
Standard power supply	8.0 V
Current consumption	8mA Max.
Output Impedance	200Ω Max.
Operating voltage	8V±10%
Operating temperature	-30°C ~ +85°C
Storage temperature	-40°C ~ +85°C

Handsfree Microphone – Part number : KHM0100

Analog output	Built-In type(KHM0100)
Test circuit	 <p>$R_L = 680 \Omega$ $C = 1 \mu F$</p>
Mechanical dimensions	Refer to Page 4
Packaging (STD)	Carton(200pcs/1 carton)

Handsfree Microphone – Part number : KHM0100

Pin No.	
1	Mic +
2	Mic -

