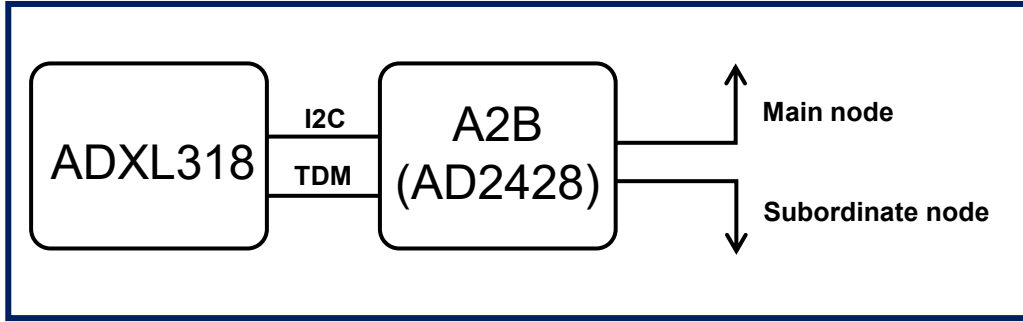


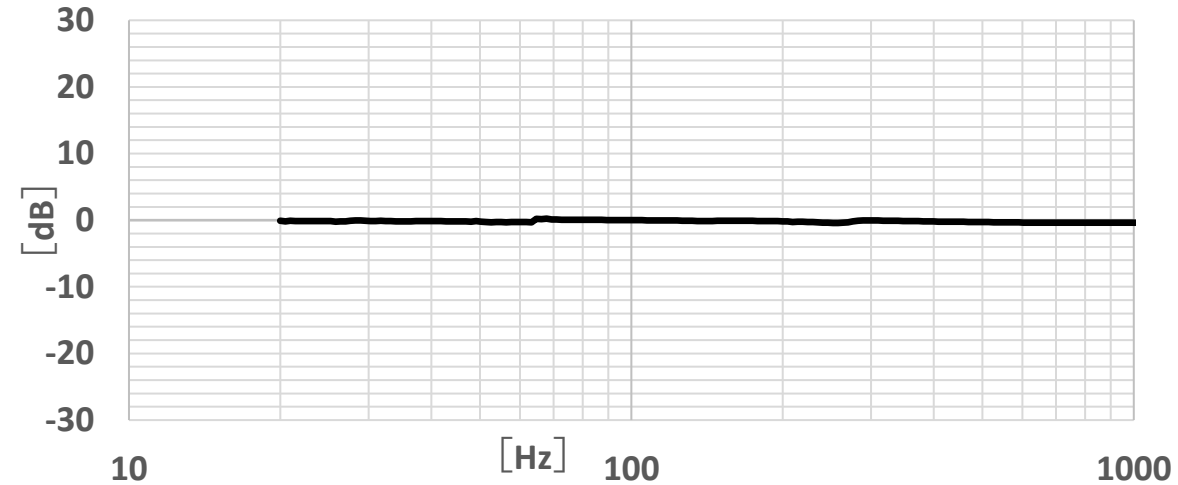
Overview

- ・ 加速度センサーユニット
- ・ **低ノイズ**
- ・ 用途： RNC

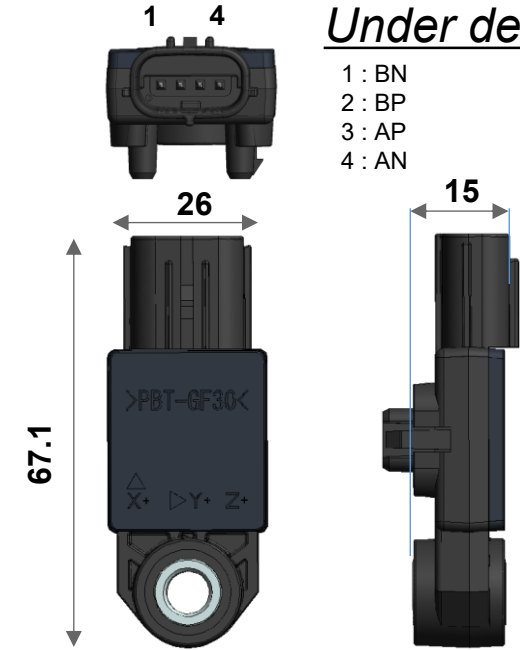
Block diagram



Frequency response



Appearance



Under development

- 1: BN
- 2: BP
- 3: AP
- 4: AN

Specifications

※Mating component is 6189-7401(Sumitomo).

Item	HHM2017
Operation Temperature Range	-40°C ~ +115°C
Full Scale Range	±16g
A2B Chip	AD2428
Sensor Output Format	TDM
Sensitivity at 1g	-24dBFS
Noise Level	50 μg/√Hz (2.5mgrms)
SN Ratio	52dB(A)
Latency	260 μsec