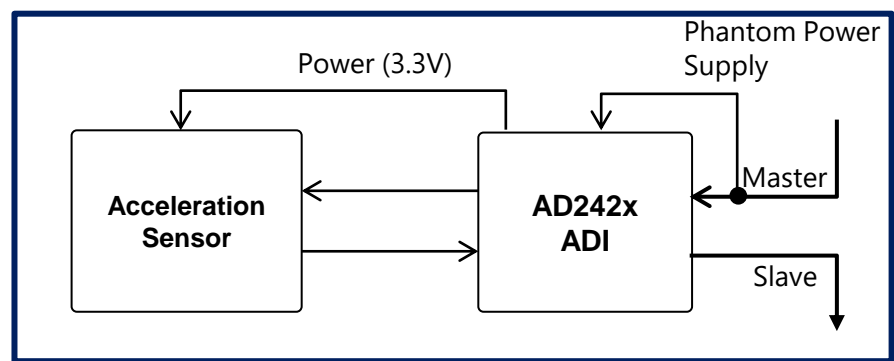


A2B Acceleration sensor for RNC HHM2003

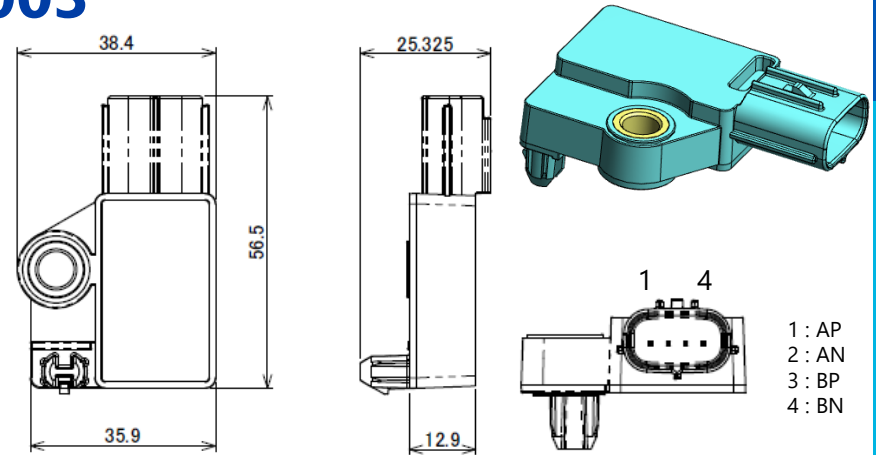
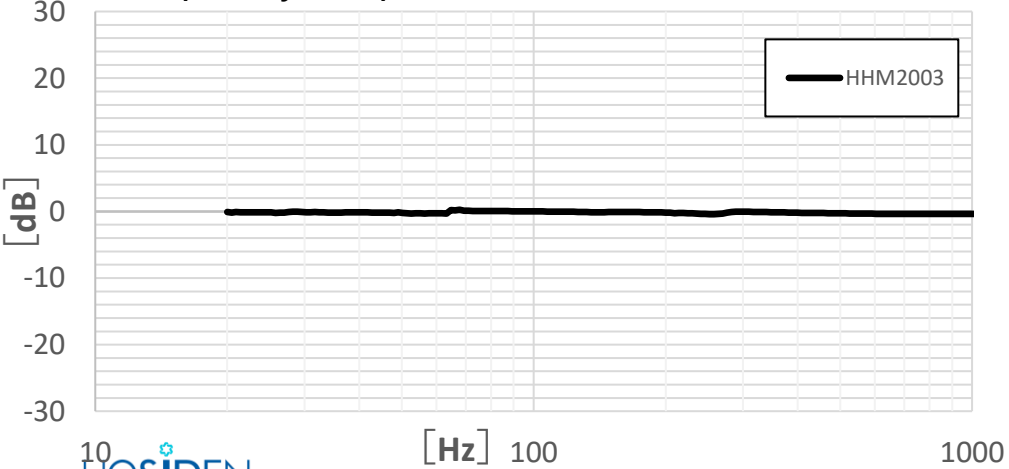
■ Overview

- Acceleration Module
- A2B Interface
- Phantom Power Supply
- For RNC Application (Road Noise Control)

■ Block Diagram



■ Frequency Response



※Mating component is 6189-7401(Sumitomo).

■ Specifications

	HHM2003
Full Scale Range	±7.7g
Sensitivity (1g 100Hz)	-17.7 dBFS
Resolution	16bits
Noise Level (X- and Y-axes)	-73dBFS(Typ)
Noise Level (Z-axis)	-70dBFS(Typ)
Latency	260 μs