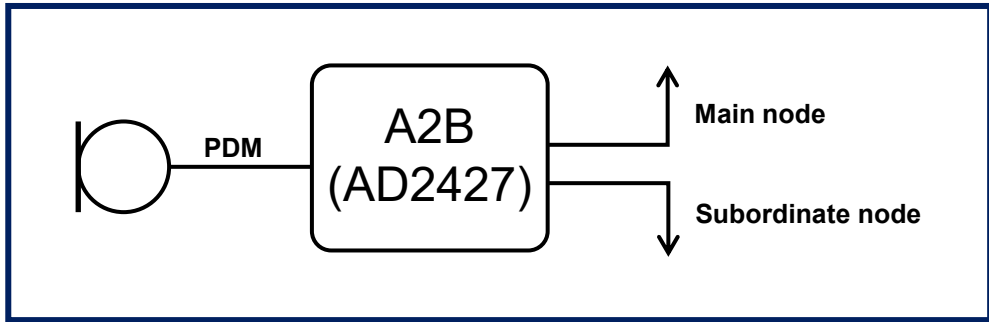


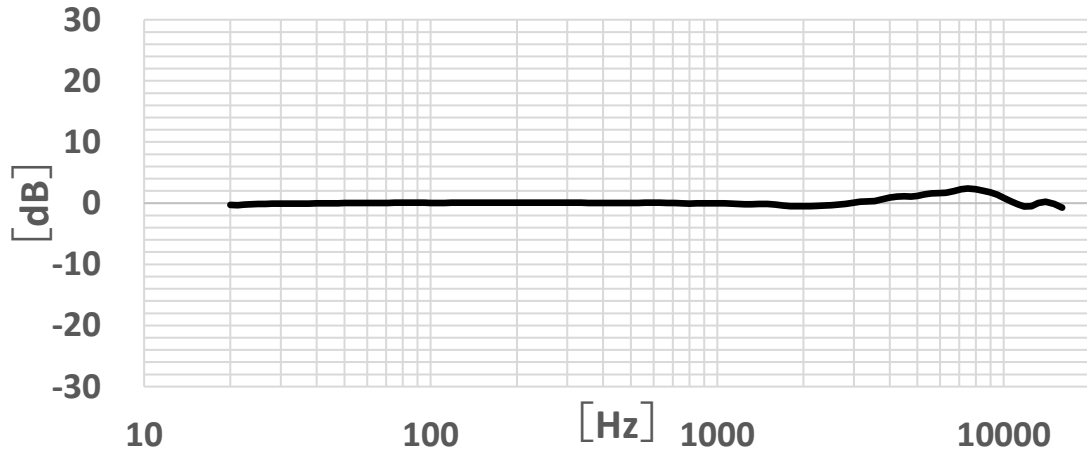
Overview

- 大入力に対応 ⇒120dB SPL
- SN比：64dB(A) (Typ)
- 低域～高域までフラットな周波数特性
- 用途：HF/VR、ANC/RNC

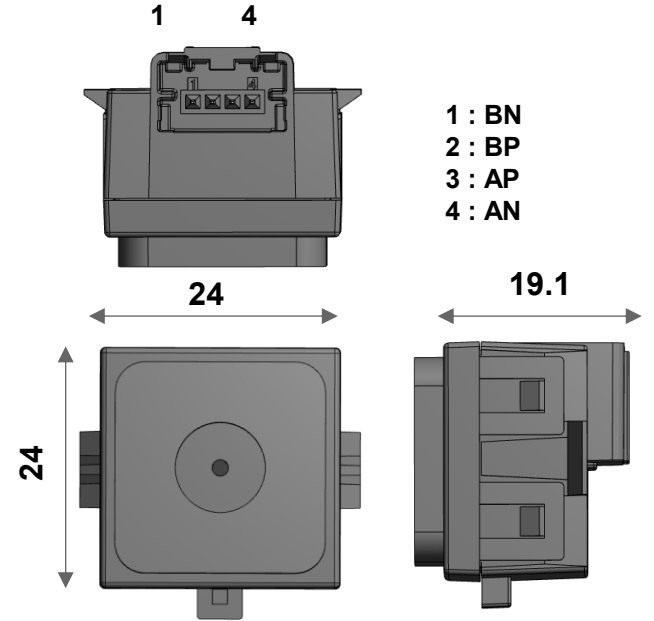
Block diagram



Frequency response



Appearance



Specifications

※Mating component is 34791-0040(Molex).

Item	HHM1069
Operation Temperature Range	-40°C ~ +85°C
Maximum Input Level	120dB SPL (THD 10% Typ at 1kHz)
SN Ratio	60dB(A) (min)
Sensitivity	-26 ± 2 dBFS/Pa at 1kHz
Connector	34912-8040 (Molex)