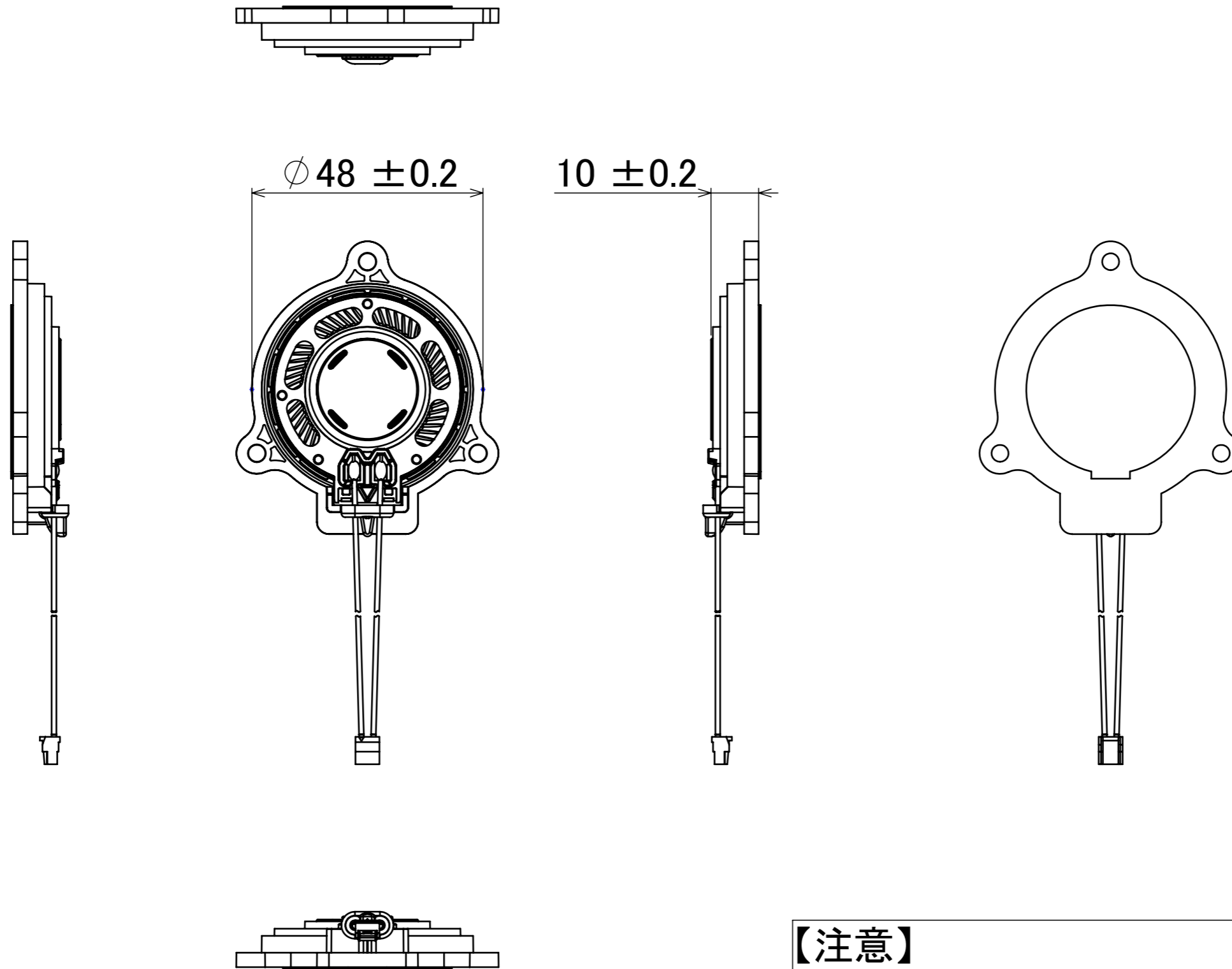


HDR9440-013110

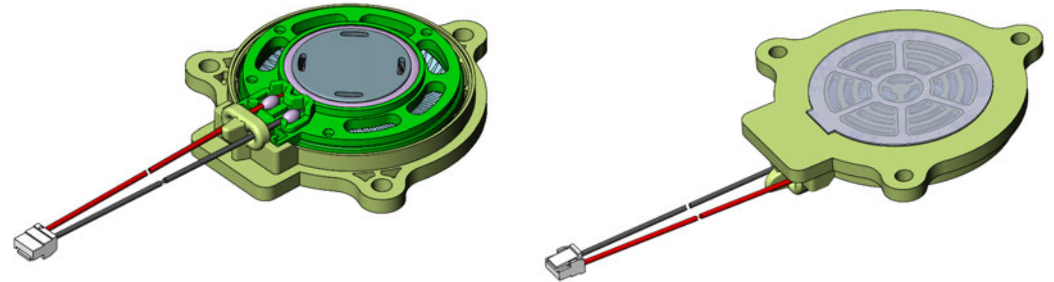


【注意】
縮尺 1:1
外径寸法フォント ポイント24
正接エッジ 正接エッジに線フォント使用

Φ48x10mm (HDR9440-013110)

■ Features :

- For automotive meters
- Thin and high sound pressure level speaker
- Back volume =Free
- Compliant with RoHS



■ Specifications :

Nominal Impedance	8 ±2 Ω
Sound Pressure Level	84.0dB [rel 20μPa]※1
Input Pwr (Nom)	1.0W
Input Pwr (Max)	1.5W
Typical back volume	Free
F0	780Hz ±20% (※2)
Connection Type	Lead wire
Water proof	Not supported

note :

※1)at 2kHz/1.0W/0.1m/back volume:Free

※2)1.0W/back volume :Free

■ Frequency Response :

