

Contents1

Product Lineup.....1

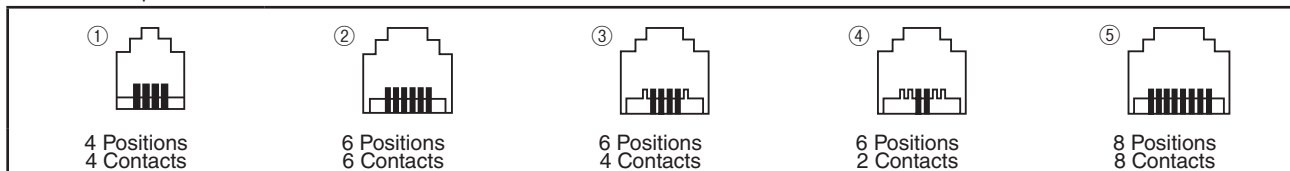
Modular Jacks (SMT) 2 - 3

Modular Jacks (DIP) 4 - 6

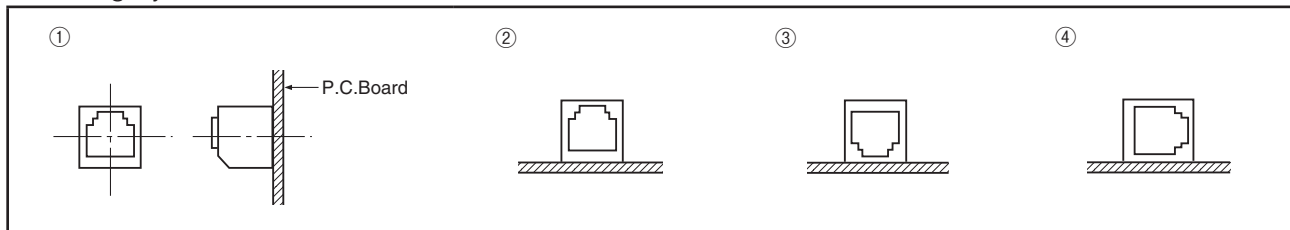
Product Lineup

Model. No	Mounting	A. Number of Positions & Contacts	B. Mounting Style	C. Taping Packaging
HJC0270	SMT	①	①	①
HJC0271		② ③	①	①
HJC0272		⑤	①	②
HJC0162	DIP	①	②	—
HJC0187		①	④	—
HJC0163		② ③ ④	②	—
HJC0212		② ③ ④	③	—
HJC0282		⑤	②	—

A. Number of positions & Contacts



B. Mounting Style



C. Taping Packaging

	D	P	L	個数 Pieces
①	360mm	20mm	32mm	250pcs
②	360mm	24mm	32mm	250pcs

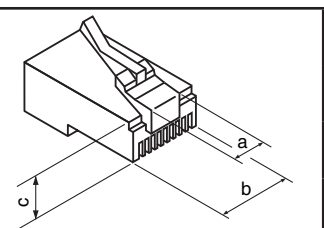
Diameter of Reel
 Figure of Tape
 Depth of Recess

Specifications

Dielectric Strength	1000V AC (r.m.s) for 1 minute
Insulation Resistance	100MΩ min. at 500V DC
Contact Resistance	100mΩ max.

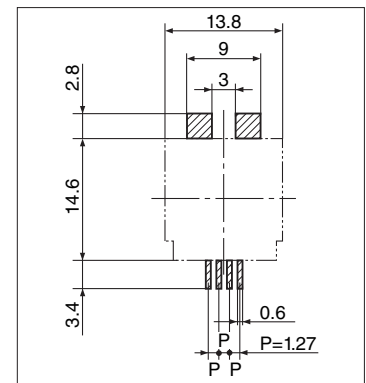
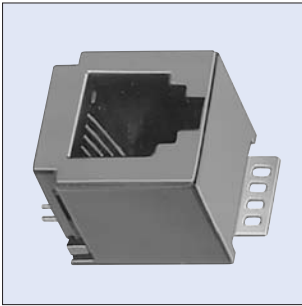
Mating Plugs

	a	b	c
4P Plug	5mm	7.7mm	6.6mm
6P Plug	6.05mm	9.7mm	6.6mm
8P Plug	6.09mm	11.7mm	6.6mm



HJC0270

4 Positions

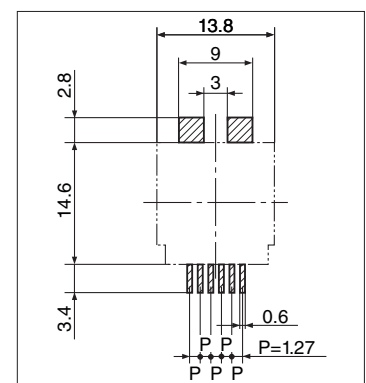
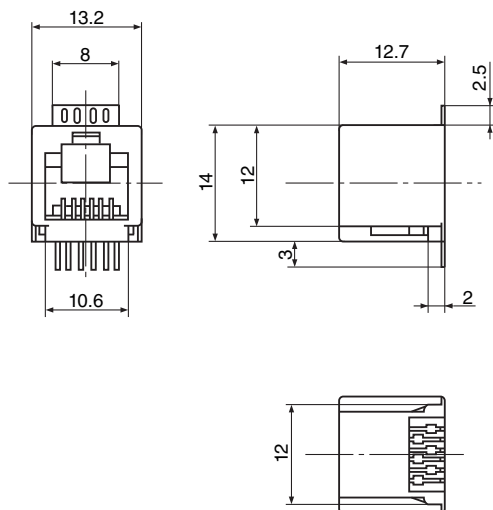
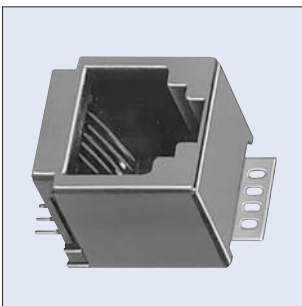


Model No.	Housing Color	Positions & Contacts
HJC0270-011024	Black	4 Positions - 4 Contacts

PCB Layout (Top View)

HJC0271

6 Positions

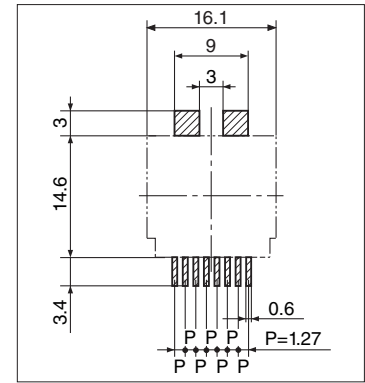
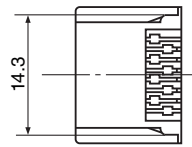
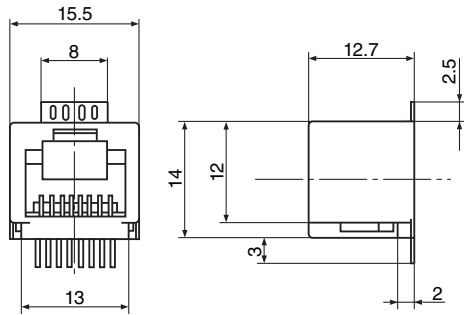
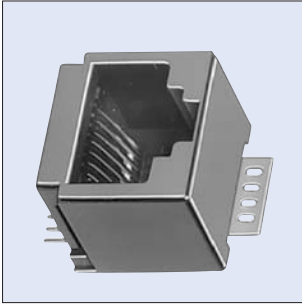


Model No.	Housing Color	Positions & Contacts
HJC0271-011024	Black	6 Positions - 6 Contacts
HJC0271-011124	Black	6 Positions - 4 Contacts

PCB Layout (Top View)

HJC0272

8 Positions

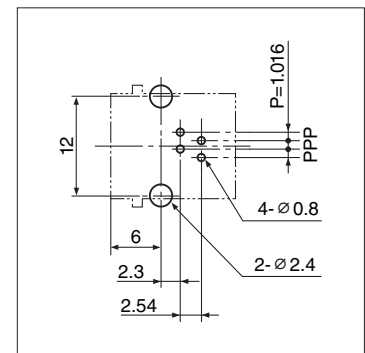
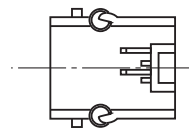
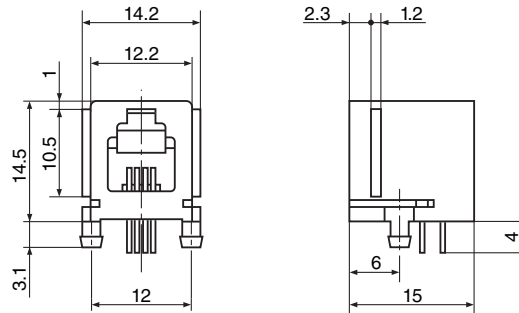
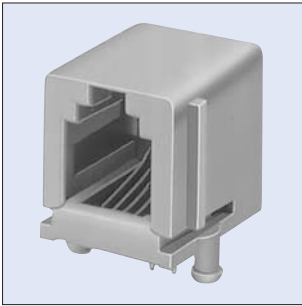


PCB Layout
(Top View)

Model No.	Housing Color	Positions & Contacts
HJC0272-011024	Black	8 Positions - 8 Contacts

HJC0162

4 Positions

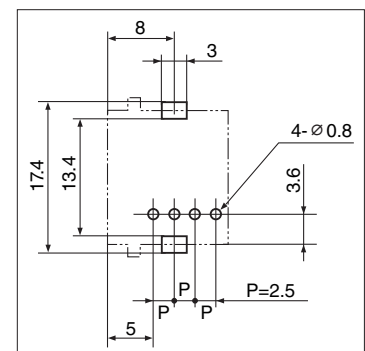
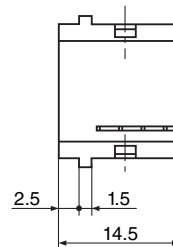
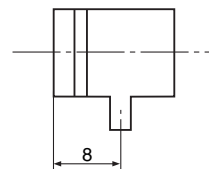
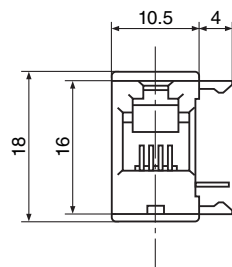
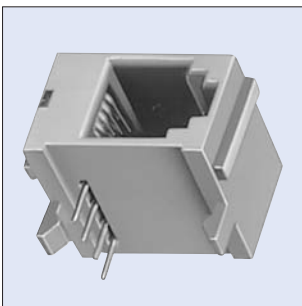


Hole Layout (Bottom View)

Model No.	Housing Color	Positions & Contacts
HJC0162-010014	Gray	4 Positions - 4 Contacts
HJC0162-010024	Black	
HJC0162-010034	Ivory	

HJC0187

4 Positions

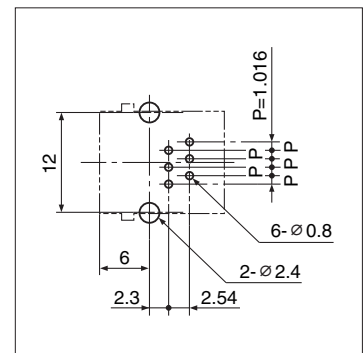
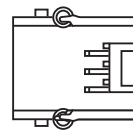
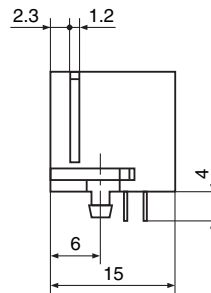
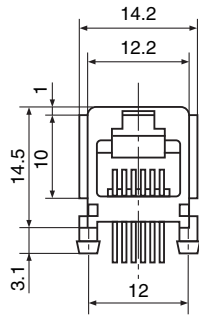


Hole Layout (Bottom View)

Model No.	Housing Color	Positions & Contacts
HJC0187-010014	Gray	4 Positions - 4 Contacts
HJC0187-010024	Black	
HJC0187-010034	Ivory	

HJC0163

6 Positions

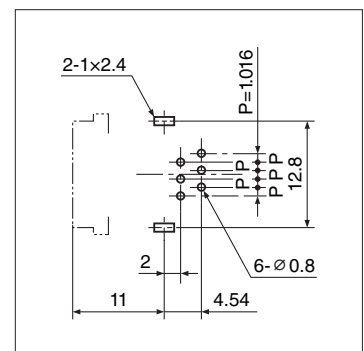
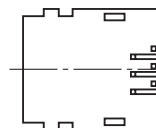
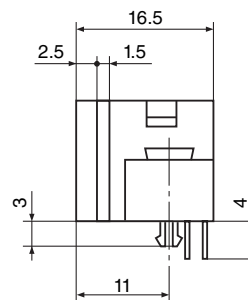
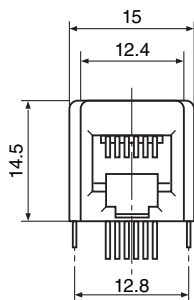
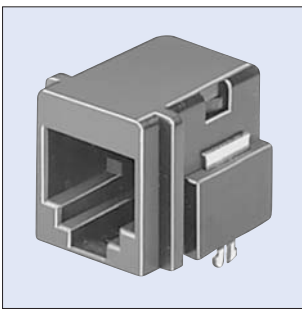


Hole Layout (Bottom View)

Model No.	Housing Color	Positions & Contacts
HJC0163-010014	Gray	6 Positions - 6 Contacts
HJC0163-010024	Black	
HJC0163-010034	Ivory	
HJC0163-010114	Gray	6 Positions - 4 Contacts
HJC0163-010124	Black	
HJC0163-010134	Ivory	
HJC0163-010214	Gray	6 Positions - 2 Contacts
HJC0163-010224	Black	
HJC0163-010234	Ivory	

HJC0212

6 Positions With Extra terminals

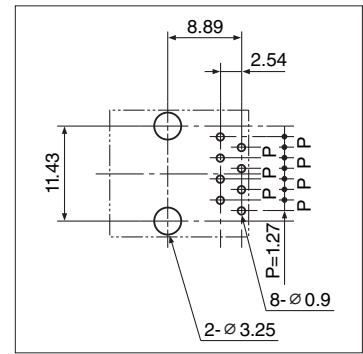
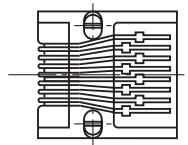
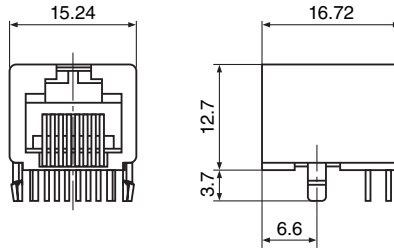
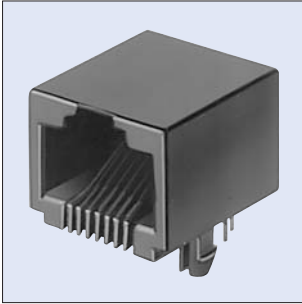


Hole Layout (Bottom View)

Model No.	Housing Color	Positions & Contacts
HJC0212-010014	Gray	6 Positions - 6 Contacts
HJC0212-010024	Black	
HJC0212-010034	Ivory	
HJC0212-010114	Gray	6 Positions - 4 Contacts
HJC0212-010124	Black	
HJC0212-010134	Ivory	
HJC0212-010214	Gray	6 Positions - 2 Contacts
HJC0212-010224	Black	
HJC0212-010234	Ivory	

HJC0282

8 Positions



Hole Layout
(Bottom View)

Model No.	Housing Color	Positions & Contacts
HJC0282-010024	Black	8 Positions - 8 Contacts

■ Model No. Table

Model No.	Page		
HJC0162	4	HJC0270	2
HJC0163	5	HJC0271	2
HJC0187	4	HJC0272	3
HJC0212	5	HJC0282	6

 **CAUTION FOR SAFETY**

Please use our products properly based on our Drawing and Specification.